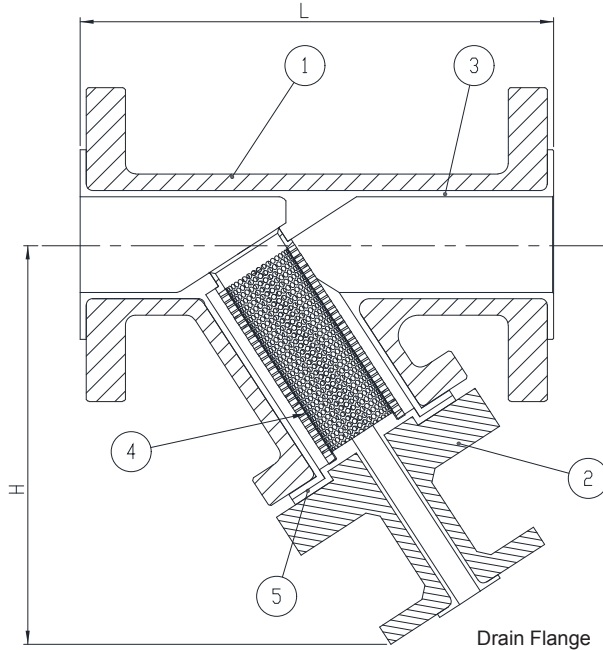


ITEM	LINED Y-TYPE STRAINER WITH FLANGED DRAIN.	CODE	STR-DI-PFA-FD	FORM NO.	
------	--	------	----------------------	----------	--

DESCRIPTION Lined Y-type strainer with cast body and molded lining.

CUSTOMER		PROJECT	
CONSULTANT		REF.	
CUST.SPEC.			



Part	Descr.	Material
1	Body	CAST DUCTILE IRON <input checked="" type="checkbox"/> ASTM A395 <input type="checkbox"/>
2	Cover	CARBON STEEL <input checked="" type="checkbox"/> ASTM A36 <input type="checkbox"/>
3	Lining	<input checked="" type="checkbox"/> PFA <input type="checkbox"/>
4	Strainer element	PTFE
5	Cover Lining	<input checked="" type="checkbox"/> PFA <input type="checkbox"/>
Flange drilling		<input checked="" type="checkbox"/> ANSI B16.5 / B16.42 150# <input type="checkbox"/>
Exterior Finish		<input checked="" type="checkbox"/> Epoxy Primer+ finish paint <input type="checkbox"/>

Size NB	H	L	Lin. Thk. X (min.)	Drain Flange	Service conditions		Testing		
					Design	Oper.	Hydro	Body	bar
1" (25)	6.37" (162)	6.30" (160)	.118" (3)	1/2" (15 NB)					
1-1/2" (40)	7.40" (188)	7.87" (200)	.118" (3)	1/2" (15 NB)					
2" (50)	7.64" (194)	9.06" (230)	.118" (3)	1/2" (15 NB)					
3" (80)	10.67" (271)	12.20" (310)	.118" (3)	1" (25 NB)					
4" (100)	12.40" (315)	13.78" (350)	.118" (3)	1" (25 NB)					
6" (150)	14.68" (373)	18.5" (479)	.16" (4)	1" (25 NB)					

Press. (max.), bar	Temp. (max.), °C	Vac. (max.), mm Hg	Fluid	Testing		
				Hydro	Body	bar
				Spark		KV
				Vacuum		mm Hg
				Pneumatic		bar

- Notes :**
- All dimensions in inches and mm.
 - Vent holes provided.
 - Lining in accordance to ASTM F1545.
 - Refer ANSI B16.5 150# for flange drilling dimensions.
 - Lining is suitable for vacuum service.
 -

COMMENTS:

GLOBAL INDUSTRIAL EQUIPMENT, INC.
2434 Darnell Drive
Spring Valley, Ohio 45370
Phone: (937) 862-9500, Fax: (937) 862-9501
Email: sales@gieinc.com, Web: www.gieinc.com

Prepared by		Checked by		Approved by	
-------------	--	------------	--	-------------	--