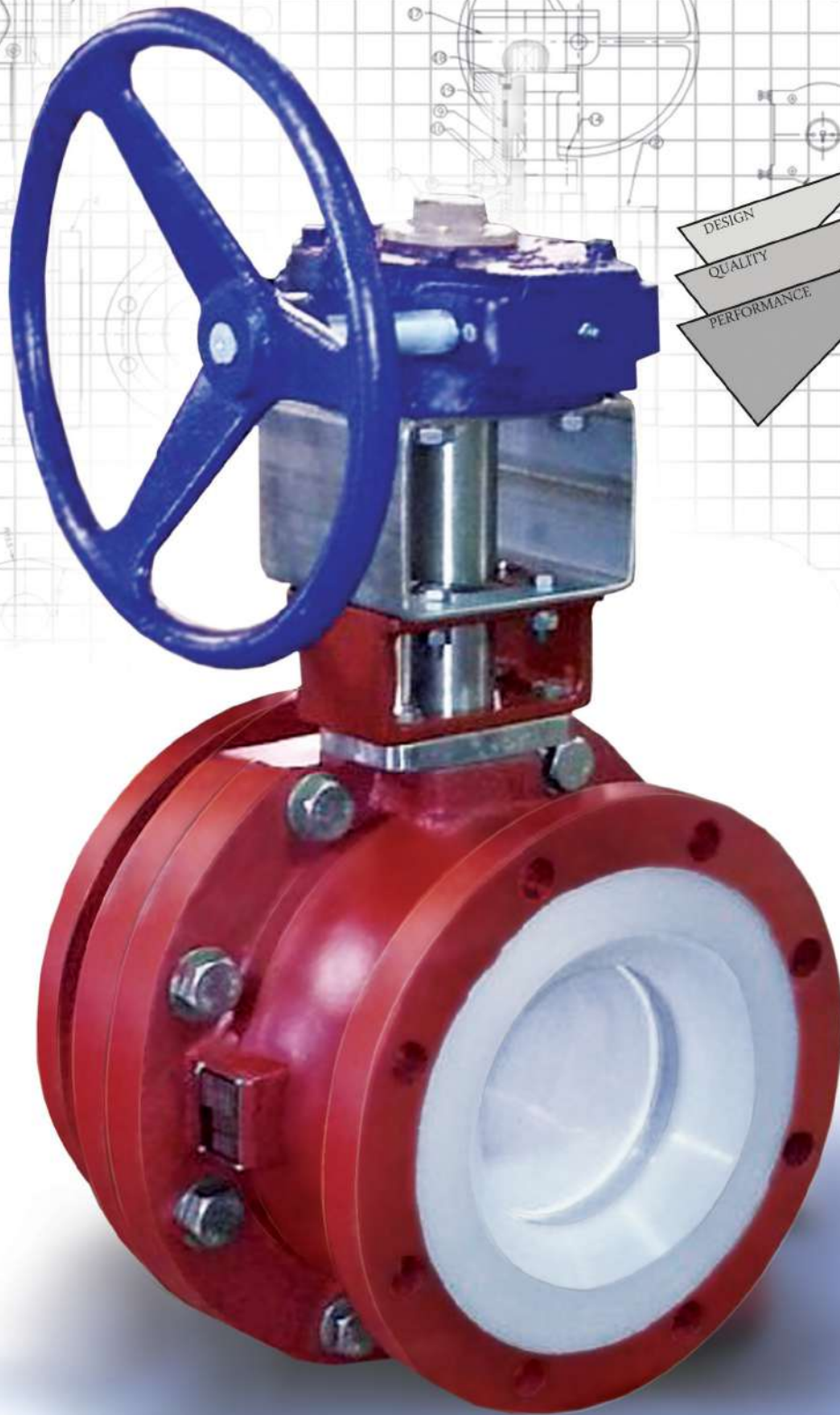


**GIE Inc.** *Global Industrial Equipment, Inc.*

THE ANSWER TO CORROSION



**8" STANDARD PORT**

**BALL VALVE**

**LININGS : PFA FEP PVDF ETFE PP**

**TECHNICAL SPECIFICATION SHEET**

No.

Rev.

ITEM **LINED BALL VALVE ( Regular Port )**

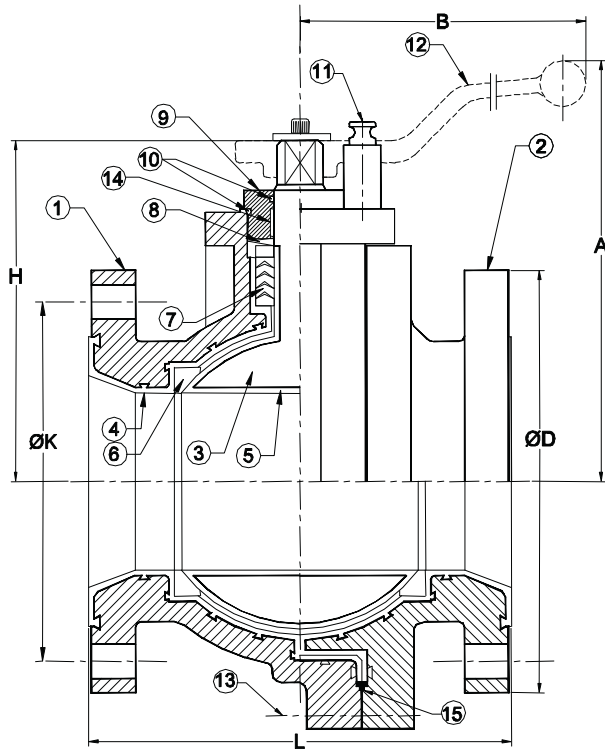
Date PPL-TS-BV-RPF

Doc. BV2PR-DI-PFA

CODE **BV2PR**

DESCRIPTION

Lined Ball Valve two piece ANSI 150# short pattern & regular port.



| Part  | Descr.                   | Material   |
|-------|--------------------------|--|
| 1, 2  | Body A, Body B           | <input checked="" type="checkbox"/> ASTM A 395 / EN JS1024<br><input type="checkbox"/> |
| 3     | Ball / stem <sup>5</sup> | <input checked="" type="checkbox"/> ASTM A351 Gr.CF8<br><input type="checkbox"/>       |
| 4, 5  | Lining                   | <input checked="" type="checkbox"/> PFA<br><input type="checkbox"/>                    |
| 6, 7. | Seat ring, Stem Packing  | <input checked="" type="checkbox"/> PTFE<br><input type="checkbox"/>                   |
| 8     | Disc Spring              | Stainless steel  |
| 9     | Packing Gland            | <input checked="" type="checkbox"/> ASTM A351 Gr.CF8<br><input type="checkbox"/>       |
| 10    | O-ring Seal              | Viton  |
| 11    | Lever stopper            | <input checked="" type="checkbox"/> AISI 304<br><input type="checkbox"/>               |
| 12    | Lever                    | <input checked="" type="checkbox"/> ASTM A216 WCB<br><input type="checkbox"/>          |
| 13    | Fasteners                | <input checked="" type="checkbox"/> AISI 304<br><input type="checkbox"/>               |
| 14    | Bearing bush             | <input checked="" type="checkbox"/> PTFE- Coke filled<br><input type="checkbox"/>      |
| 15    | Secondary seal           | <input checked="" type="checkbox"/> PTFE<br><input type="checkbox"/>                   |

| Tag No.      |        |        |
|--------------|--------|--------|
| SIZE NB      | 200NB  | 8in.   |
| L            | 293    | 11.5   |
| B            | 600    | 23.625 |
| ØD           | 343    | 13.50  |
| ØD x n       | 23 x 8 | 0.9375 |
| K            | 298.5  | 11.75  |
| H            | 227    | 8.93   |
| A            | 270    | 10.62  |
| Lin Thk Min. | 3      | 0.118  |

| Flange drilling <sup>4</sup>                       | Service conditions                                  |        | Testing   |        | Exterior Finish |
|--|---|--------|-----------|--------|-----------------|
|  | <input checked="" type="checkbox"/> ANSI B16.5 150# | Press. | bar       | Hydro. |                 |
|  | Temp.   | °C     |           | Seat   | bar             |
| Actuation  | Vac. <input type="checkbox"/>                       | mm Hg  | Spark     |        | KV              |
| <input checked="" type="checkbox"/> Manual - Lever | Fluid   |        | Vacuum    |        | mm Hg           |
|  |   |        | Pneumatic |        | bar             |

- Notes**
- All dimensions in mm & in.
  - Face to Face dimensions as per ANSI B16 10 short pattern.
  - Testing as per API 598 / EN 12266 -1.
  - Other drilling or rating may be provided on request.
  - Stem connection is double "D" type as per ISO 5211.
  - Design generally as per ANSI B16.34.
  - Sketch shown above illustrates only the general assembly and is not to scale.

|                 |  |
|-----------------|--|
| <b>Customer</b> |  |
| Project         |  |
| Consultant      |  |
| Reference       |  |
| Cust. Spec. No. |  |

**GLOBAL INDUSTRIAL EQUIPMENT, INC.**  
2434 Darnell Drive  
Spring Valley, Ohio 45370  
Phone: 937-862-9500, Fax: (937) 862-9501  
Email: sales@gieinc.com, Web: www.gieinc.com