

GIE Inc. Global Industrial Equipment, Inc.

THE ANSWER TO CORROSION



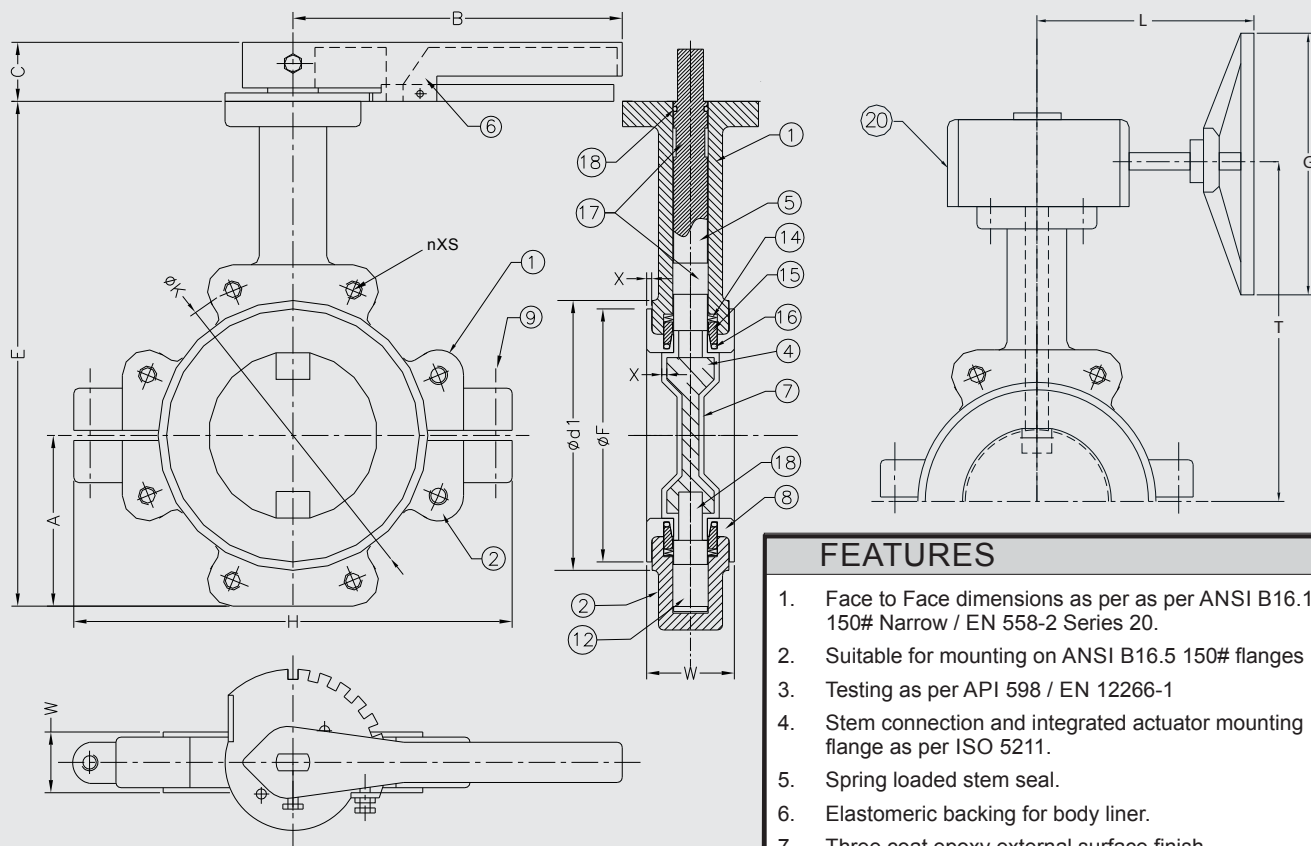
DESIGN
QUALITY
PERFORMANCE



B O D Y
L I N I N G
P T F E

D I S C
L I N I N G
P F A
F E P
P V D F

P L A S T I C L I N E D
B U T T E R F L Y V A L V E
L U G - T Y P E



FEATURES

1. Face to Face dimensions as per as per ANSI B16.10 150# Narrow / EN 558-2 Series 20.
2. Suitable for mounting on ANSI B16.5 150# flanges
3. Testing as per API 598 / EN 12266-1
4. Stem connection and integrated actuator mounting flange as per ISO 5211.
5. Spring loaded stem seal.
6. Elastomeric backing for body liner.
7. Three coat epoxy external surface finish.
8. Direct mounting of manual geared or pneumatic actuator for automation.

| SIZE | BUTTERFLY LUG TYPE | | | | | | | | | | | | LIN.THK |
|------|--------------------|------|-------|-------|-------|-------|-------|-------|------|-------|-------|----------------|---------|
| | E | C | B | G | L | T | H | A | W | Ød1 | ØF | n X S | INCH |
| 2" | 7.95 | 1.50 | 8.27 | | | | 6.50 | 2.44 | 1.69 | 4.02 | 3.86 | 4 X 5/8"- 11 | 0.12 |
| 2.5" | 8.66 | 1.50 | 8.27 | | | | 7.48 | 2.76 | 1.81 | 4.76 | 4.72 | 4 X 5/8"- 11 | 0.12 |
| 3" | 9.60 | 1.50 | 8.27 | | | | 8.90 | 3.11 | 1.81 | 5.24 | 5.00 | 4 X 5/8"- 11 | 0.12 |
| 4" | 10.83 | 1.50 | 11.81 | | | | 10.43 | 2.56 | 2.05 | 6.38 | 6.26 | 8 X 5/8"- 11 | 0.12 |
| 5" | 11.93 | 1.50 | 11.81 | | | | 11.81 | 4.25 | 2.20 | 7.56 | 7.36 | 8 X 3/4"- 10 | 0.12 |
| 6" | 13.23 | 1.70 | 19.69 | 9.84 | 9.45 | 10.04 | 12.91 | 4.76 | 2.20 | 8.58 | 8.50 | 8 X 3/4"- 10 | 0.16 |
| 8" | 15.55 | | | 9.84 | 9.45 | 11.22 | 15.75 | 5.91 | 2.36 | 10.75 | 10.63 | 8 X 3/4"- 10 | 0.16 |
| 10" | 18.07 | | | 13.78 | 11.22 | 12.25 | 18.70 | 7.05 | 2.68 | 12.92 | 12.76 | 12 X 7/8"- 9 | 0.16 |
| 12" | 21.10 | | | 19.69 | 14.17 | 14.76 | 21.26 | 8.50 | 3.07 | 14.88 | 14.76 | 12 X 7/8"- 9 | 0.16 |
| 14" | 25.20 | | | 19.69 | 13.98 | 17.32 | 25.20 | 10.43 | 3.62 | 17.24 | 16.25 | 12 X 1"- 8 | 0.16 |
| 16" | 28.54 | | | 19.69 | 13.98 | 19.09 | 28.35 | 12.00 | 4.02 | 19.25 | 18.50 | 16 X 1"- 8 | 0.16 |
| 18" | 30.71 | | | 23.62 | 13.00 | 20.94 | 29.53 | 12.60 | 4.49 | 21.22 | 20.98 | 16 X 1 1/8"- 7 | 0.16 |
| 20" | 34.65 | | | 23.62 | 13.00 | 22.91 | 32.68 | 14.57 | 5.00 | 23.39 | 22.99 | 20 X 1 1/8"- 7 | 0.16 |

| No. | Part | Material (Standard) | Option |
|-------|--------------------|------------------------------------|--------------------------------------|
| 1, 2 | BODY A, BODY B, | Ductile Iron ASTM A395 60-40-18 | ASTM A216 WCB / A351 CF8 / A351 CF8M |
| 4,5 | DISC, STEM | Stainless steel, 304 | Stainless steel, 316 |
| 18 | BOTTOM STEM | Stainless steel, 304 | Stainless steel, 316 |
| 6 | LEVER ASSEMBLY | Ductile Iron ASTM A395 60-40-18 | ASTM A216 WCB / A351 CF8 / A351 CF8M |
| 7 | DISC LINING | PFA | FEP / PVDF |
| 8 | BODY LINER | PTFE | Modified PTFE (TFM / NXT) |
| 9 | FASTENERS | Stainless steel | High tensile alloy steel |
| 10 | BODY LINER BACKING | VITON® | EPDM, Silicone |
| 12,17 | BEARING | DU BUSH (PTFE impregnated) | |
| 14 | DISC SPRING | Stainless steel | |
| 15 | PUSHER | Stainless steel, 304 | Stainless steel, 316 |
| 16,19 | O-RING | Viton® | |
| 20 | GEARBOX | | |

Notes:
 1. All dimensions in inch.
 2. Valve Sizes up to 12" provided with single piece disc & stem.
 3. Valve sizes up to 6" can be provided with manual lever.
 4. Face to face dimensions of 14" as per ANSI B16.10 150# Wide.

GIE Inc. Global Industrial Equipment, Inc.

ADMIN. OFFICE
 2434 Darnell Drive
 Spring Valley, Ohio 45370

Phone: 937-862-9500
 Fax: (937) 862-9501
 Email: sales@gieinc.com
 Website: www.gieinc.com

DISTRIBUTED BY