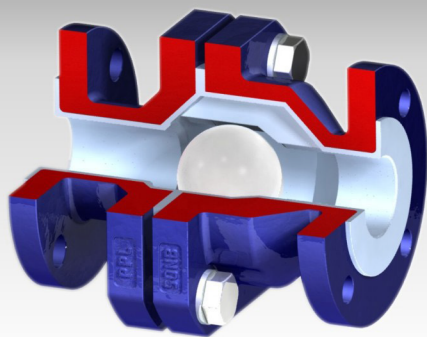
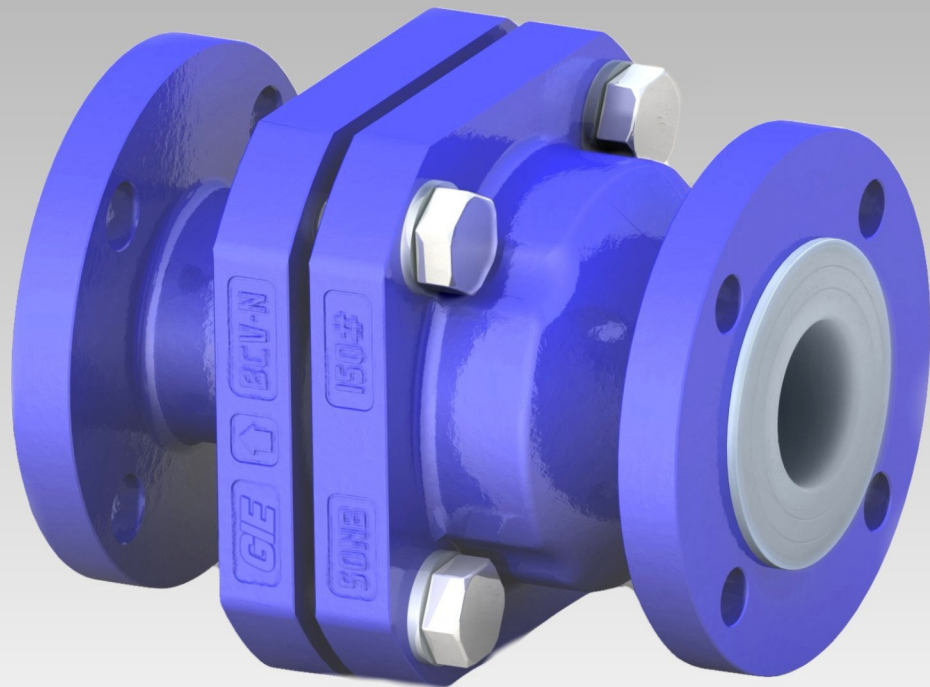
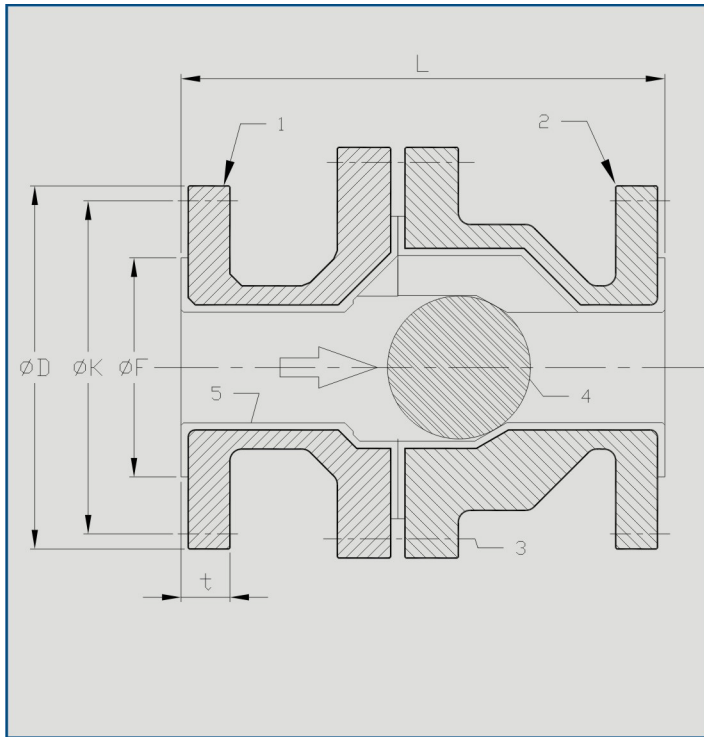


**GIE Inc. Global Industrial Equipment, Inc.**

**PLASTIC LINED PIPING SYSTEMS.**



**P F A      L I N E D      B A L L - C H E C K      V A L V E**



## MATERIAL SPECIFICATION

No.	ITEM	STANDARD	OPTIONAL
1	Body 1	ASTM A395 /	ASTM A216 Gr WCB /
2	Body 2	EN-GJS-400-18-RT	A351 CF8 / CF8M
3	Fasteners	SS 304	SS 316 / ASTM A193 B7
4	Ball	SOLID PTFE	LINED BALL
5	Lining	PFA	FEP / PVDF / ETFE / PP

## FEATURES AND OPTIONS.

1. Guided Ball for trouble free performance.
2. Large open area for flow ,results in lower pressure drops
3. Variety of Corrosion resistant plastic linings for excellent protection in wide range of service conditions.
4. Lined ball with metal insert can be provided on request instead of solid PTFE Ball.
5. Stainless steel fasteners are standard.
6. Epoxy paint provided on external surfaces to provide protection from environmental corrosion.
7. Suitable for both vertical as well as horizontal installation.

SIZE		15 NB .50"	20 NB .75"	25 NB 1"	40 NB 1.5"	50 NB 2"	80 NB 3"	100 NB 4"	150 NB 6"
<b>DIMENSION</b>	L	5.12" (130)	5.98" (152)	5.98" (152)	7.00" (178)	7.99" (203)	.49" (241)	11.50" (292)	14.02" (356)
	ØD	3.50" (89)	3.88" (98.5)	4.25" (108)	5.00" (127)	6.03" (153)	7.52" (191)	9.02" (229)	10.98" (279)
	ØF	1.37" (34.9)	1.69" (42.9)	2" (50.8)	2.87" (73)	3.63" (92.1)	5.00" (127)	6.19" (157.2)	8.50" (215.9)
	ØK	2.37" (60.3)	2.75" (69.9)	3.13" (79.4)	3.87" (98.4)	4.75" (120.6)	6" (152.4)	7.51" (190.5)	9.5" (241.3)
	M	.63" (16)	.63" (16)	.63" (16)	.63" (16)	.75" (19)	.75" (19)	.75" (19)	.91" (23)
	N	.16" (4)	.16" (4)	.16" (4)	.16" (4)	.16" (4)	.16" (4)	.31" (8)	.31" (8)
	T	.43" (11)	.50" (12.7)	.56" (14.3)	.68" (17.5)	.75" (19)	.94" (23.8)	.94" (23.8)	1" (25.4)
	Lin .Thk X Min.	.08" (2)	.12" (3)	.12" (3)	.12" (3)	.12" (3)	.14" (3.5)	.16" (4)	.16" (4)

Note: Weights provided are considering standard material options with solid PTFE Ball

## CONTACT

# GLOBAL INDUSTRIAL EQUIPMENT, INC.

### ADMIN. OFFICE

479 Bellbrook Avenue  
Xenia, Ohio 45385

Toll Free: 888-243-8443  
Fax: 937-374-1361  
Email: [info@gieinc.com](mailto:info@gieinc.com)  
Website: [www.gieinc.com](http://www.gieinc.com)

### DISTRIBUTED BY