

TECHNICAL SPECIFICATION SHEET

No.

Rev.

ITEM **LINED BALL VALVE (Regular Port)**

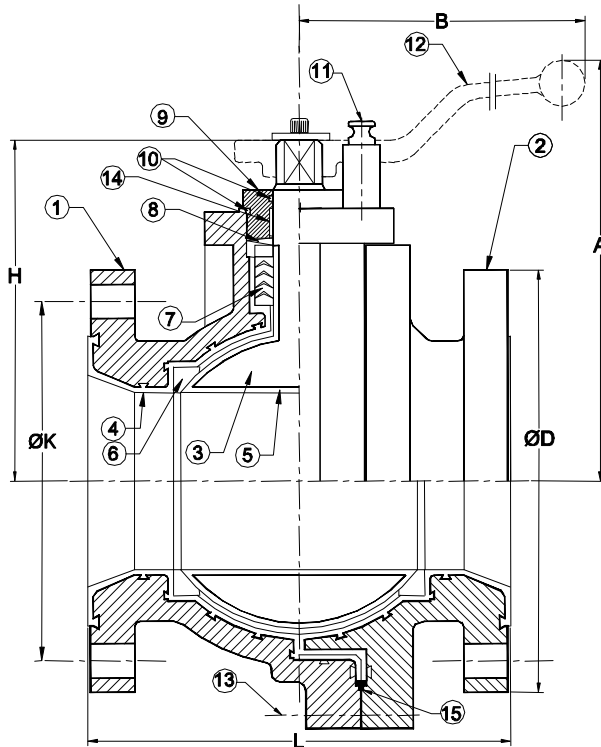
Date

Doc. BV2PR-DI-PFA

CODE **BV2PR**

DESCRIPTION

Lined Ball Valve two piece ANSI 150# short pattern & regular port.



Part	Descr.	Material
1, 2	Body A, Body B	<input checked="" type="checkbox"/> ASTM A 395 / EN JS1024 <input type="checkbox"/>
3	Ball / stem ⁵	<input checked="" type="checkbox"/> ASTM A351 Gr.CF8 <input type="checkbox"/>
4, 5	Lining	<input checked="" type="checkbox"/> PFA <input type="checkbox"/>
6, 7.	Seat ring, Stem Packing	<input checked="" type="checkbox"/> PTFE <input type="checkbox"/>
8	Disc Spring	Stainless steel
9	Packing Gland	<input checked="" type="checkbox"/> ASTM A351 Gr.CF8 <input type="checkbox"/>
10	O-ring Seal	Viton
11	Lever stopper	<input checked="" type="checkbox"/> AISI 304 <input type="checkbox"/>
12	Lever	<input checked="" type="checkbox"/> ASTM A216 WCB <input type="checkbox"/>
13	Fasteners	<input checked="" type="checkbox"/> AISI 304 <input type="checkbox"/>
14	Bearing bush	<input checked="" type="checkbox"/> PTFE- Coke filled <input type="checkbox"/>
15	Secondary seal	<input checked="" type="checkbox"/> PTFE <input type="checkbox"/>

Tag No.		
SIZE NB	200NB	8in.
L	293	11.5
B	600	23.625
ØD	343	13.50
ØD x n	23 x 8	0.9375
K	298.5	11.75
H	227	8.93
A	270	10.62
Lin Thk Min.	3	0.118

Flange drilling ⁴ <input checked="" type="checkbox"/> ANSI B16.5 150#	Service conditions Press. bar Temp. °C		Testing Hydro. Body bar Seat bar		Exterior Finish <input checked="" type="checkbox"/> Epoxy Primerfinish paint <input type="checkbox"/>
	Actuation <input checked="" type="checkbox"/> Manual - Lever	Vac. <input type="checkbox"/> mm Hg Fluid	Spark Vacuum mm Hg Pneumatic bar	KV	

- Notes**
- All diminsions in mm & in.
 - Face to Face dimensions as per ANSI B16 10 short pattern.
 - Testing as per API 598 / EN 12266 -1.
 - Other drilling or rating may be provided on request.
 - Stem connection is double "D" type as per ISO 5211.
 - Design generally as per ANSI B16.34.
 - Sketch shown above illustrates only the general assembly and is not to scale.

Customer	
Project	
Consultant	
Reference	
Cust. Spec. No.	
GLOBAL INDUSTRIAL EQUIPMENT, INC. 2434 Darnell Drive Spring Valley, Ohio 45370 Phone: 888-243-8443, Fax: (937) 862-9501 Email: sales@gieinc.com, Web: www.gieinc.com	