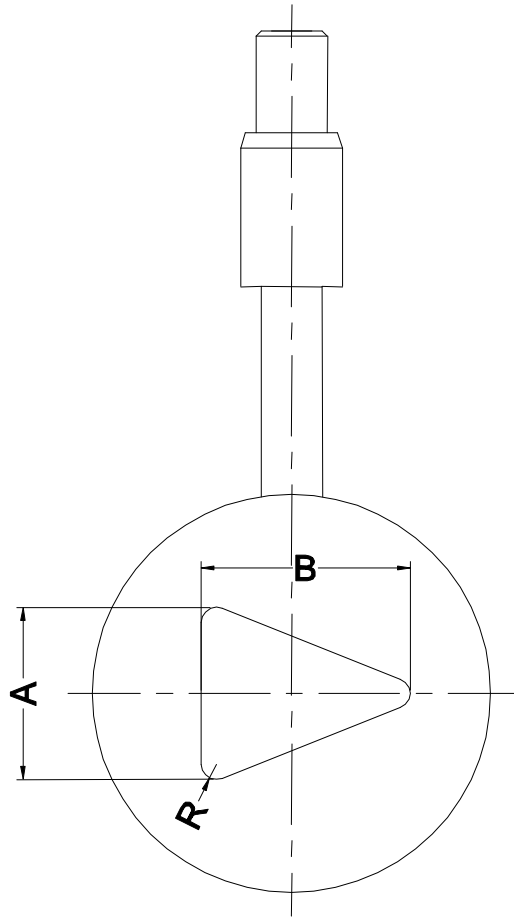




<b>TECHNICAL SPECIFICATION SHEET</b>		<b>No.</b>	Rev.
<b>ITEM</b>	<b>V-BALL for LINED BALL VALVE</b>	Date	
<b>CODE</b>	<b>BV-VPF-VB</b>	Doc.	GIE-TS-BV-VPF-VB
<b>DESCRIPTION</b>	V-Ball details for Lined Ball Valve two piece ANSI 150#		



Size NB	1" (25)	1.5" (40)	2" (50)	3" (80)	4" (100)
<b>A</b>	.67" (17)	1" (25)	1.34" (34)	2" (51)	2.68" v(68)
<b>B</b>	.75" (19)	1.22" (31)	1.60" (41)	2.52" (64)	3.39" (86)
<b>R</b>	.06" (1.5)	.10" (2.5)	.12" (3)	.18" (4.5)	.24" (6)

**Notes**

1. Dimensions in Inches and mm.
2. Sketch shown above illustrates only the general assembly and is not to scale.
- 3.

<b>Customer</b>	
Project	
Consultant	
Reference	
Cust. Spec. No.	
<b>GLOBAL INDUSTRIAL EQUIPMENT, INC.</b>	
479 Bellbrook Avenue	
Xenia, Ohio 45385	
Tel.: 888-243-8443, Fax. : (937) 347-1361	
Email : info@gieinc.com, Web: www.gieinc.com	