



TECHNICAL SPECIFICATION SHEET

No.

Rev.

ITEM **Manual Geared Actuator mounting for LINED BALL VALVE (REDUCED PORT)**

Date

Doc.

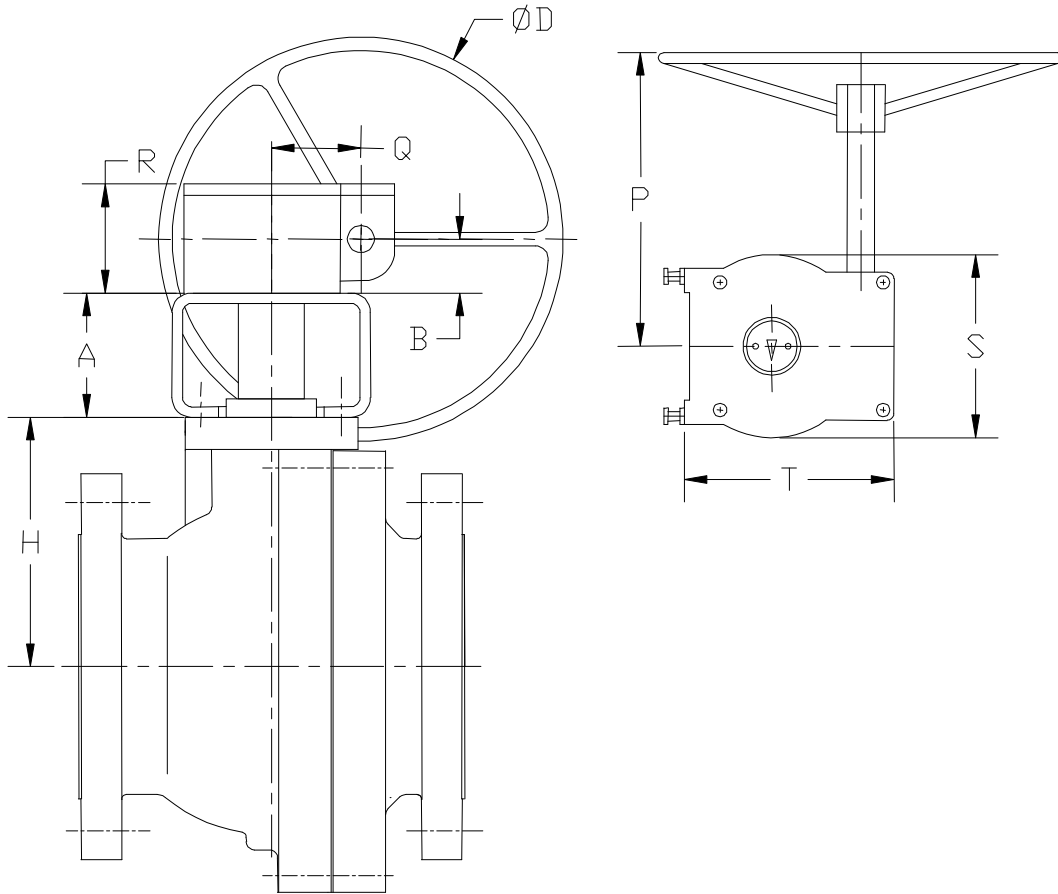
GIE-TS-BV-RPF-MGA

CODE

BV-RPF-MGA

DESCRIPTION

Geared Actuator details for Lined Ball Valve two piece ANSI 150#



Size NB	4" (100)	6" (150)	8" (200)
H	4.65" (118)	5.83" (148)	7.48" (190)
A	3.15" (80)	3.94" (100)	3.94" (100)
B	1.18" (30)	1.18" (30)	1.57" (40)
P	7.68" (195)	7.68" (195)	9.45" (240)
Q	1.54" (39)	1.54" (39)	2.20" (56)
R	2.44" (62)	2.44" (62)	2.95" (75)
S	3.23" (82)	3.23" (82)	4.72" (120)
T	3.78" (96)	3.78" (96)	5.91" (150)
ØD	6.89" (175)	6.89" (175)	9.84" (250)

Notes

1. Dimensions in Inches and mm.
2. Sketch shown above illustrates only the general assembly and is not to scale.
- 3.

Customer

Project

Consultant

Reference

Cust. Spec. No.

GLOBAL INDUSTRIAL EQUIPMENT, INC.

479 Bellbrook Avenue

Xenia, Ohio 45385

Tel.: 888-243-8443, Fax. : (937) 347-1361

Email : info@gieinc.com, Web: www.gieinc.com