



TECHNICAL SPECIFICATION SHEET

No.

Rev.

ITEM **LINED BALL VALVE (FULL PORT)**

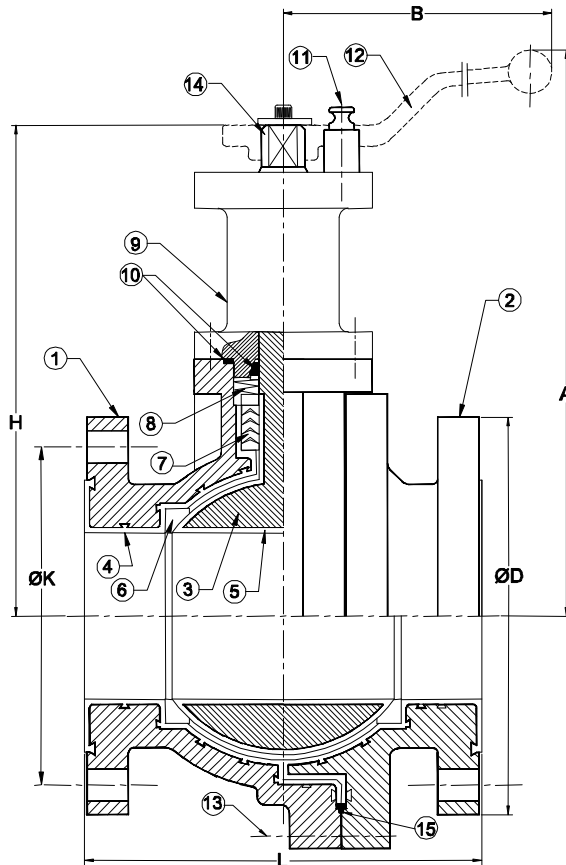
Date

Doc. GIE-TS-BV-2PS

CODE **BV-2PS**

DESCRIPTION

Lined Ball Valve two piece ANSI 150# short pattern & full port with extended stem.



Part	Descr.	Material
1, 2	Body A, Body B	<input checked="" type="checkbox"/> ASTM A 395 / EN JS1024 <input type="checkbox"/>
3	Ball / stem ⁵	<input checked="" type="checkbox"/> ASTM A351 Gr.CF8 <input type="checkbox"/>
4, 5	Lining	<input checked="" type="checkbox"/> PFA <input type="checkbox"/>
6, 7.	Seat ring, Stem Packing	<input checked="" type="checkbox"/> PTFE <input type="checkbox"/>
8	Disc Spring	Stainless steel
9	Packing Gland	<input checked="" type="checkbox"/> ASTM A351 Gr.CF8 <input type="checkbox"/>
10, 15	Secondary seals	<input checked="" type="checkbox"/> PTFE <input type="checkbox"/>
11	Lever stopper	<input checked="" type="checkbox"/> AISI 304 <input type="checkbox"/>
12	Lever	<input checked="" type="checkbox"/> ASTM A216 WCB <input type="checkbox"/>
13	Fasteners	<input checked="" type="checkbox"/> AISI 304 <input type="checkbox"/>
14	Stem adapter	<input checked="" type="checkbox"/> AISI 304 <input type="checkbox"/>

SIZE NB	5" (15)	7.5" (20)	1" (25)	1.5" (40)	2" (50)	3" (80)	4" (100)	6" (150)
L	4.37" (111)	4.61" (117)	5" (127)	6.5" (165)	7" (178)	8" (203)	9" (229)	10.5 (267)
B	3.94" (100)	6.89" (175)	6.89" (175)	8.86" (225)	9.84" (250)	11.81" (300)	13.78" (350)	23.62" (600)
ØD	3.50" (89)	3.87" (98.4)	4.25" (108)	5" (127)	6" (152.4)	7.5" (190.5)	9.02" (229)	10.98" (279)
Ød X n	.63"X 4 (16) X 4	.63"X 4 (16) X 4	.63"X 4 (16) X 4	.63"X 4 (16) X 4	.75"X 4 (19) X 4	.75"X4 (19) X 4	.75"X8 (19) X 8	.91"X8 (23) X 8
K	2.37" (60.3)	2.75" (69.8)	3.13" (79.5)	3.87" (98.4)	4.75" (120.7)	6" (152.4)	7.5" (190.5)	9.5" (241.3)
H	2.32" (59)	2.32" (59)	3.39" (86)	4.57" (116)	4.88" (124)	6.14" (156)	7.28" (185)	8.94" (227)
A	3.35" (85)	3.35" (85)	4.92" (125)	6.30" (160)	7.09" (180)	8.66" (220)	9.84" (250)	10.63" (270)
Lin THK Min.	.10" (2.5)	.12" (3)	.12" (3)	.12" (3)	.12" (3)	.12" (3)	.12" (3)	.12" (3)

Flange drilling ⁴ <input checked="" type="checkbox"/> ANSI B16.5 150#	Service conditions Press. bar Temp. °C		Testing Hydro. Body bar Seat bar		Exterior Finish <input checked="" type="checkbox"/> Epoxy Primerfinish paint <input type="checkbox"/>
	Actuation <input checked="" type="checkbox"/> Manual - Lever	Vac. <input type="checkbox"/> mm Hg Fluid	Spark Vacuum mm Hg Pneumatic bar	KV mm Hg bar	

Notes

- All dimensions in mm.
- Face to Face dimensions as per as per ANSI B16.10 short pattern.
- Testing as per API 598 / EN 12266 -1
- Other drilling or rating may be provided on request.
- Stem connection is double "D" type as per ISO 5211.
- Design generally as per ANSI B16.34
- Sketch shown above illustrates only the general assembly and is not to scale.
-

Customer
Project
Consultant
Reference
Cust. Spec. No.
GLOBAL INDUSTRIAL EQUIPMENT, INC. 479 Bellbrook Avenue Xenia, Ohio 45385 Tel.: 888-243-8443, Fax. : (937) 347-1361 Email : info@gieinc.com, Web: www.gieinc.com