



**TECHNICAL SPECIFICATION SHEET**

No.

Rev.

ITEM **Manual Geared Actuator mounting for LINED BALL VALVE ( FULL PORT )**

Date

Doc.

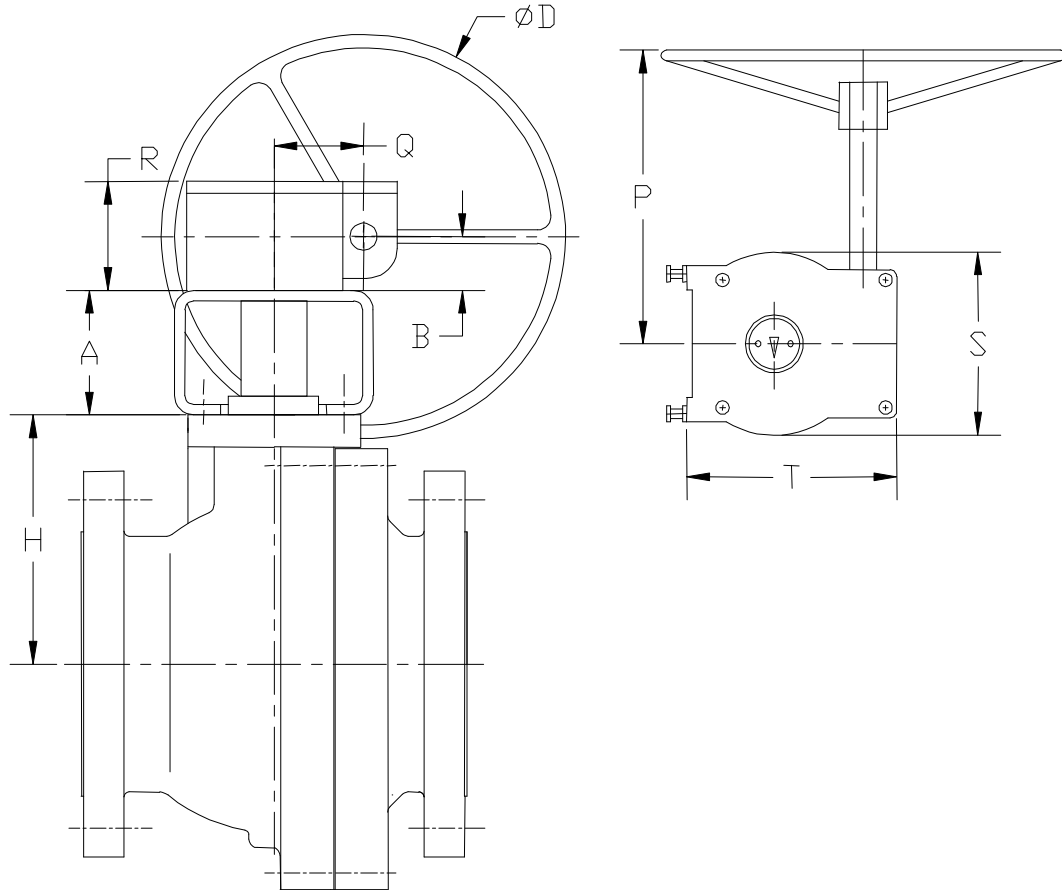
GIE-TS-BV-2PF-MGA

CODE

**BV-2PF-MGA**

DESCRIPTION

Geared Actuator details for Lined Ball Valve two piece ANSI 150#



SIZE NB	5" (15)	7.5" (20)	1" (25)	1.5" (40)	2" (50)	3" (80)	4" (100)	6" (150)
L	4.37" (111)	4.61" (117)	5" (127)	6.5" (165)	7" (178)	8" (203)	9" (229)	10.5" (267)
B	3.94" (100)	6.89" (175)	6.89" (175)	8.86" (225)	9.84" (250)	11.81" (300)	13.78" (350)	23.62" (600)
Dia D	3.50" (89)	3.87" (98.4)	4.25" (108)	5" (127)	6" (152.4)	7.5" (190.5)	9.02" (229)	10.98" (279)
Od X n	63"X 4 (16) X X4	63"X 4 (16) X4	63"X 4 (16) X4	63"X 4 (16) X4	75"X 4 (19) X4	75"X 4 (19) X4	75"X 8 (19) X8	91"X 8 (23) X8
K	2.37" (60.3)	2.75" (69.8)	3.13" (79.5)	3.87" (98.4)	4.75" (120.7)	6" (152.4)	7.5" (190.5)	9.5" (241.3)
H	2.32" (59)	2.32" (59)	3.39" (86)	4.57" (116)	4.88" (124)	6.14" (156)	7.28" (185)	8.94" (227)
A	3.35" (85)	3.35" (85)	4.92" (125)	6.30" (160)	7.09" (180)	8.66" (220)	9.84" (250)	10.63" (270)
Lin THK Min	.10" (2.5)	.12" (3)	.12" (3)	.12" (3)	.12" (3)	.12" (3)	.12" (3)	.12" (3)

**Notes**

1. All dimensions in mm.
2. Sketch shown above illustrates only the general assembly and is not to scale.
- 3.

<b>Customer</b>	
Project	
Consultant	
Reference	
Cust. Spec. No.	
<b>GLOBAL INDUSTRIAL EQUIPMENT, INC.</b>	
479 Bellbrook Avenue	
Xenia, Ohio 45385	
Tel.: 888-243-8443, Fax. : (937) 347-1361	
Email : info@gieinc.com, Web: www.gieinc.com	